



COMPONENTS OF PACKAGING:

1 ceiling canopy with electronics, 2 set screws M5x20,
1 IVY light body, 1 power cable, 4 LED light sources,
4 glass shades,
1 hex key size 1.5, 1 hex key size 2.5, 1 pair cotton gloves,
1 installation manual

WARNING:

**Installation must be carried out by
a qualified electrician only.
Switch off power at main circuit panel
prior to installation!
The manufacturer assumes no liability
for damage occurring in transport or
resulting from incorrect installation.**

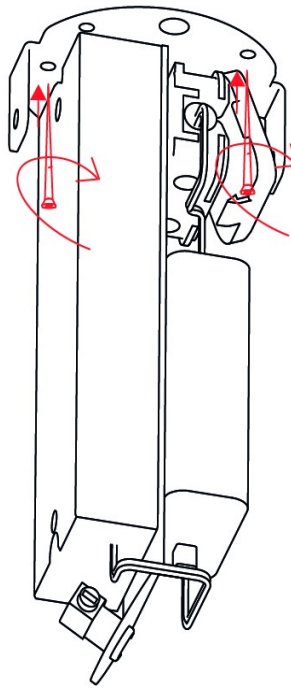
Instalation time: 45 min/ 1 persons



1. INSTALLING THE CEILING CANOPY BRACKET

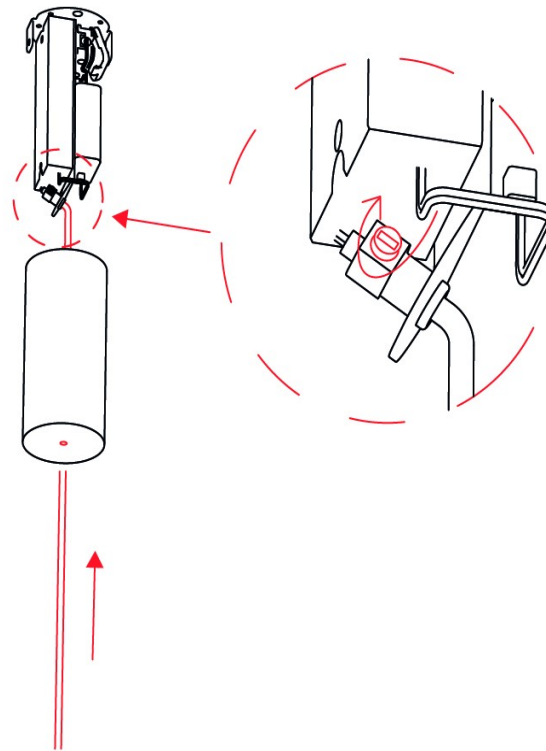
Use anchors of sufficient strength (not included). With regard to various types of ceilings, we recommend consulting installation with an expert. The manufacturer assumes no liability for incorrect installation, the use of improper anchors, or defects in the material to which the bracket is secured.

Secure the bracket to the ceiling.



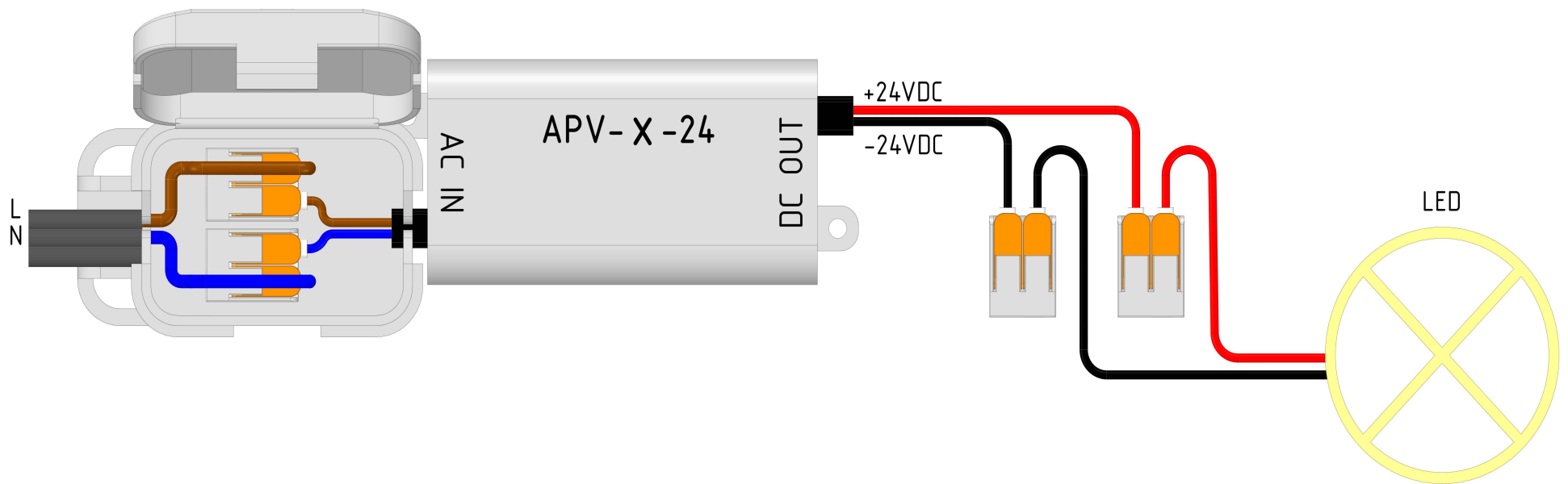
2. INSTALLING THE POWER CABLE

Pass the power cable through the glass ceiling canopy, the grommet, and the plastic cable stop in the bracket. Next, tighten the set screw in the plastic cable stop using at least 1–1.5 Nm of force.



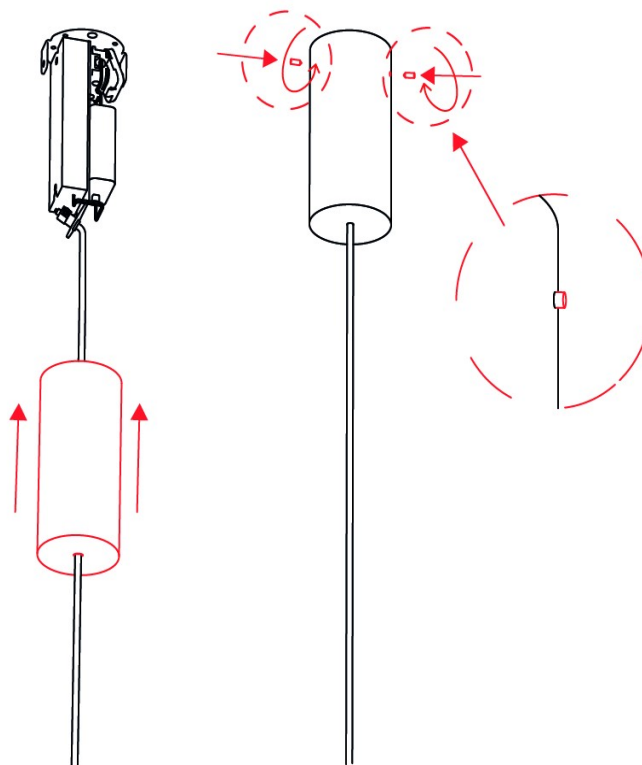
3. CONNECTING THE LIGHT TO THE BUILDING WIRING

Connect the light to the building wiring according to the connection diagram. Care must be taken to ensure the individual wires are stowed in the terminal box.



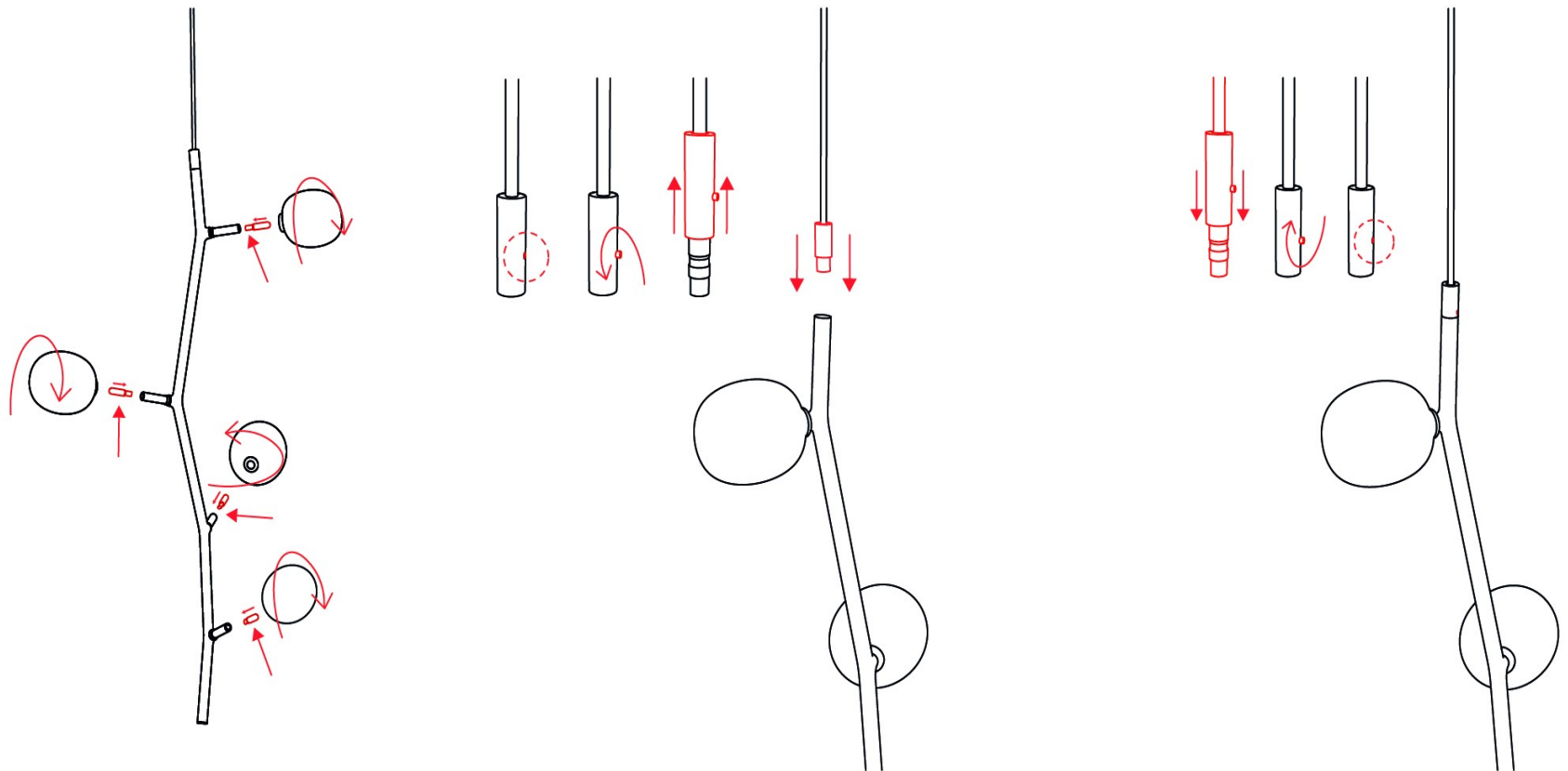
4. INSTALLING THE CEILING CANOPY

Position the ceiling canopy on the bracket and secure by tightening the set screws (M5x25) with the hex key size 2.5. Do not tighten the screws completely – they should extend from the ceiling canopy by at least 5 mm.



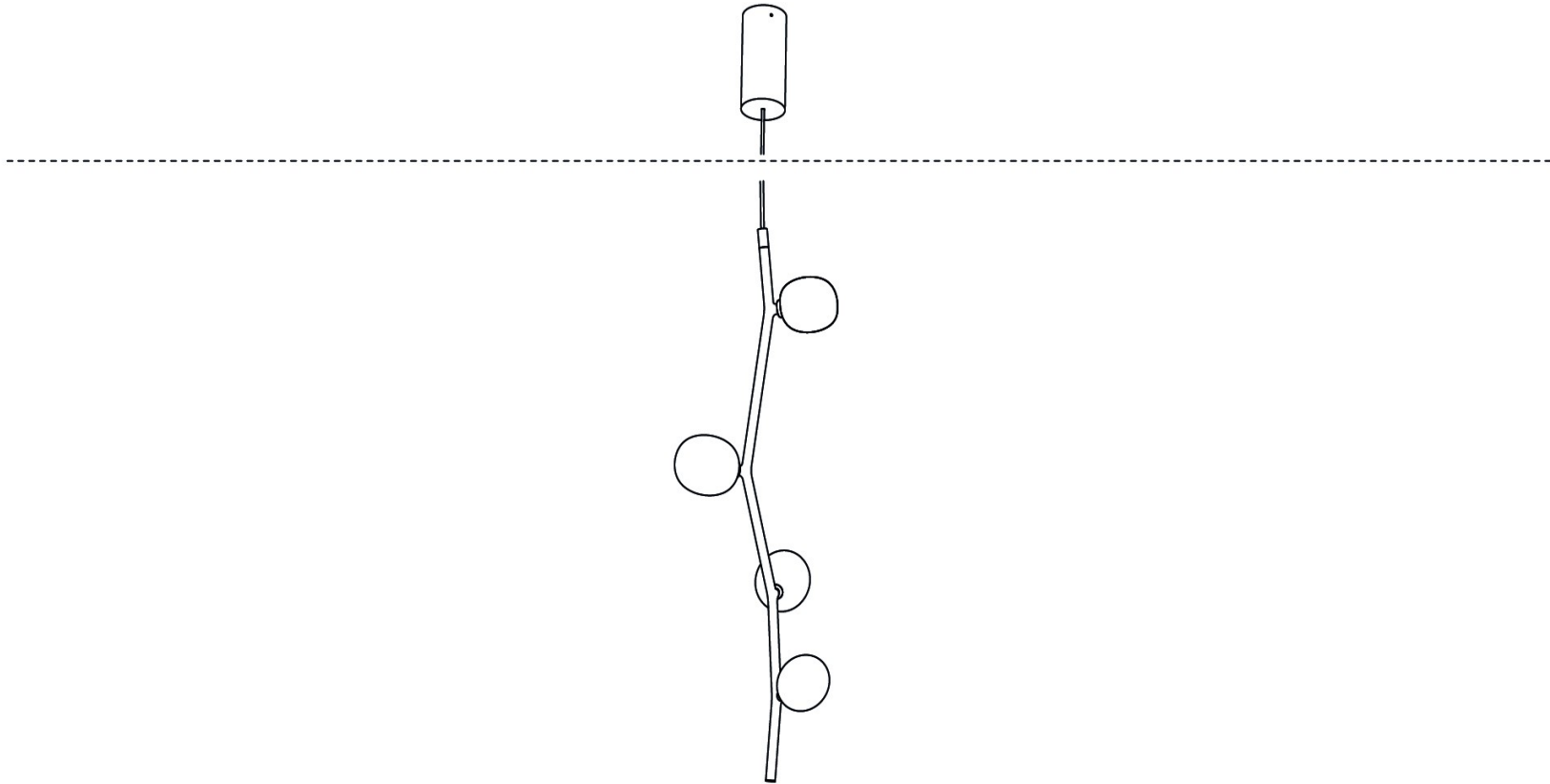
5. INSTALLING THE LIGHT

Insert the LED light source into the body of the light. Next, screw the glass shade onto the body of the light. Loosen the set screw in the power cable connector using the hex key size 1.5. Insert the power cable into the connector on the IVY light body and then secure the sleeve by retightening the set screw.



6. SWITCHING ON THE LIGHT

Restore power at the main circuit panel and verify that the light works properly.





The luminaire can be treated with common cleaning agents. Do not use solvents or abrasive cleaners (powders).

PRIOR TO SHIPPING, THE FUNCTIONALITY OF EACH LIGHT AND ITS COMPONENTS IS THOROUGHLY TESTED. THE MANUFACTURER ASSUMES NO LIABILITY FOR THE MISHANDLING OF PRODUCTS.

